



***Grupo Mexba***  
*Básculas, Redes y Sistemas*

Distribuidor Exclusivo:



# DPS-4600M

Prepack Scale Printer



*Searching for*  

---

*a New Balance*

**VENTAS Y SERVICIO**  
Tel: 58222958 y 01 800 841 2991  
ventas.mexba@gmail.com  
www.mexba.com.mx

***Mexba***

# The DPS-4600M improves efficiency in all areas of the supermarket's



## Large color touch screen

The 10.4 inch adjustable color TFT display ensures that operators can change the angle according to their height or the environment. Operators can also choose the color and position of the display's function keys according to their needs to simplify tasks.



**DPS-4600M**  
Twin labeller type  
(Stand: optional)



## Easy PLU search

The DPS-4600M supports the "easy PLU search" function. The PLU search function combined with the large touch screen allows operators to quickly find PLUs, speeding up the time needed to find the correct PLU among thousands.



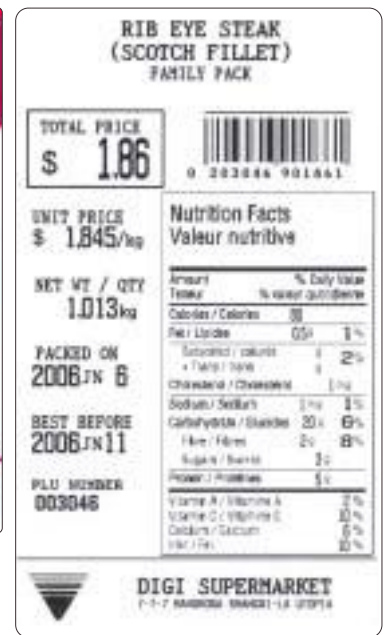
## Easy label placement

Simply lift the product for quick label placement.



# Efficiency in operation.

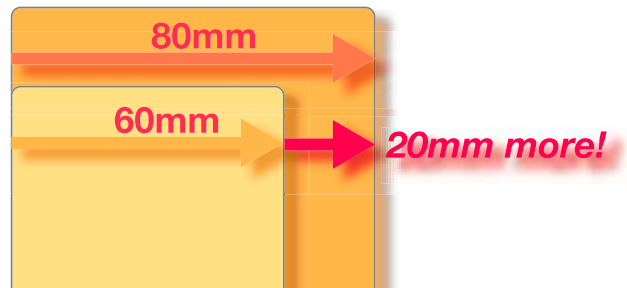
Shoppers want detailed information about the products, including "Place of origin" and "Traceability" on the labels. Shoppers also prefer "Bargain price" clearly shown on the labels.



The twin labeller can be used for freely designed POP labels showing ingredients or other product information.

## Easy to prepare, wide labels

Use the additional 20mm of label width to print more information to meet label regulations and still have space for advertising messages.





## Specifications

### Capacity

Interval type	Multi-interval	Single interval
Capacity	Max 6/15kg	Max 30 lb
Scale interval	e=2/5g	e=0.01 lb

### Printer

Type	Thermal printer
Dot density	8 dots/mm
Print speed	Max.140 mm/s
Print width	25 to 80 mm (0.98 to 3.14 inches)
Print length	20 to 150 mm (0.79 to 5.9 inches)
Back paper width	Max. 86 mm (3.38 inches)
Label roll diameter	Max. 190 mm (7.48 inches)
Label roll core diameter	42 / 76 mm (1.65 / 2.99 inches)

### Console

Display panel	TFT LCD color (10.4 inches)
Operational keys	Mechanical function keys and touch screen
Standard memory	4 MB
Program installation	Flash memory

### Numerical display

Tare	4 digits
Weight	6 digits
Unit price	6 digits
Total price	6 digits

### Programmable items

PLU	Approx. 3000 items
Ingredients	2000 items
Advertising message	80 items
Extra print format	50 items
Text	25 items
Image	100 items
Barcode	UPC, EAN (8 or 13 digits)

Note : The memory allocation for the DPS-4600M software is not fixed for each file so the figures shown above are only estimates of the maximum possible for each item.

### General

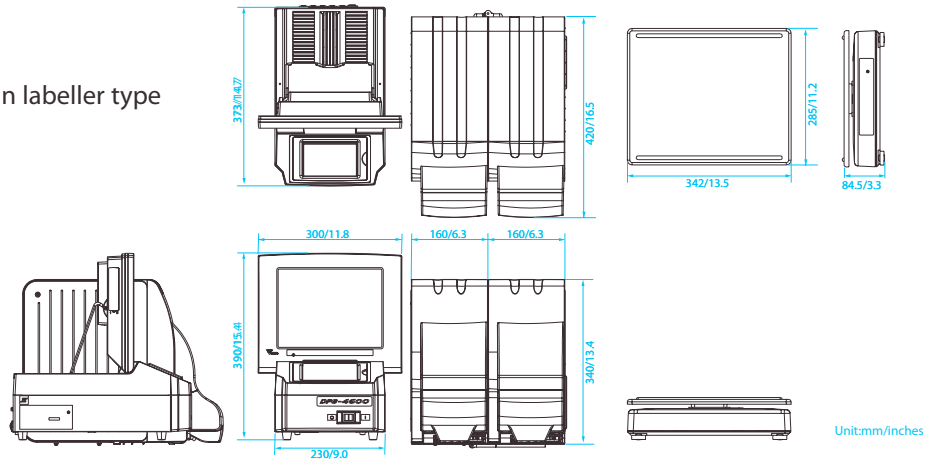
Housing	Resin and stainless steel construction
Interface	IBM keyboard, RS-232C, Ethernet, 4-line
Power supply	AC 100-200 / 220-240V, 50 / 60Hz
Power consumption	1A Single / 150W 1,2A Twin / 250W

### Net weight

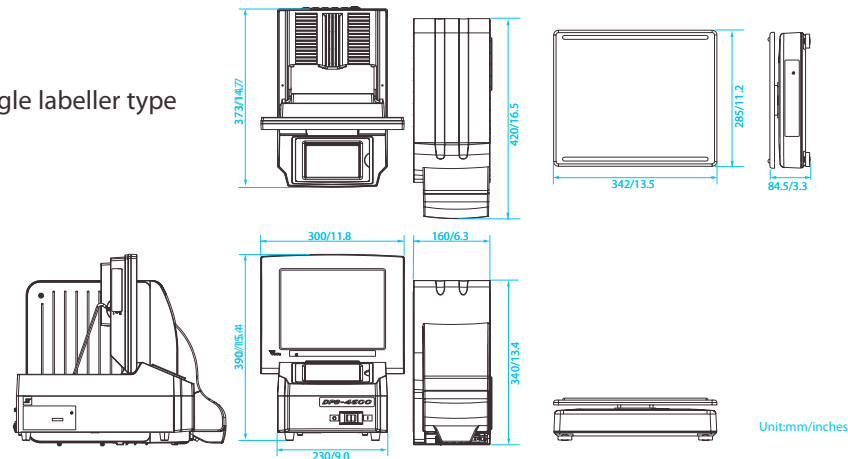
Main unit	Single labeller type : 19.7 kg / 43.4 lb
	Twin labeller type : 25.7 kg / 56.7 lb
Scale platform	3.8kg / 8.4 lb

## Dimensions

Twin labeller type



Single labeller type



**Grupo Mexba**  
Básculas, Redes y Sistemas

**MEXBA REPRESENTANTE EXCLUSIVO:**



**DISTRIBUIDOR EXCLUSIVO  
VENTAS Y SERVICIO**

E-mail: [ventas.mexba@gmail.com](mailto:ventas.mexba@gmail.com)  
Tel: 58222958 y 01 800 841 2991  
[www.mexba.com.mx](http://www.mexba.com.mx)